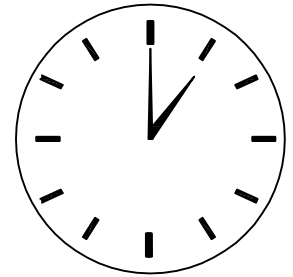
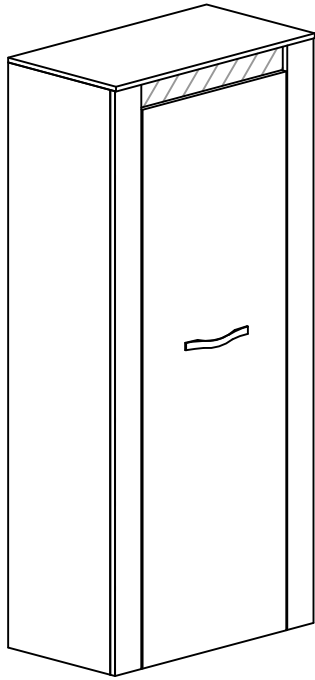
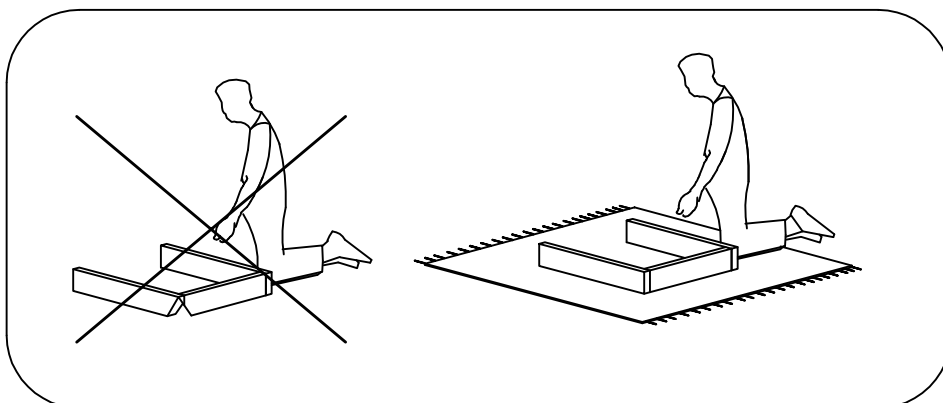
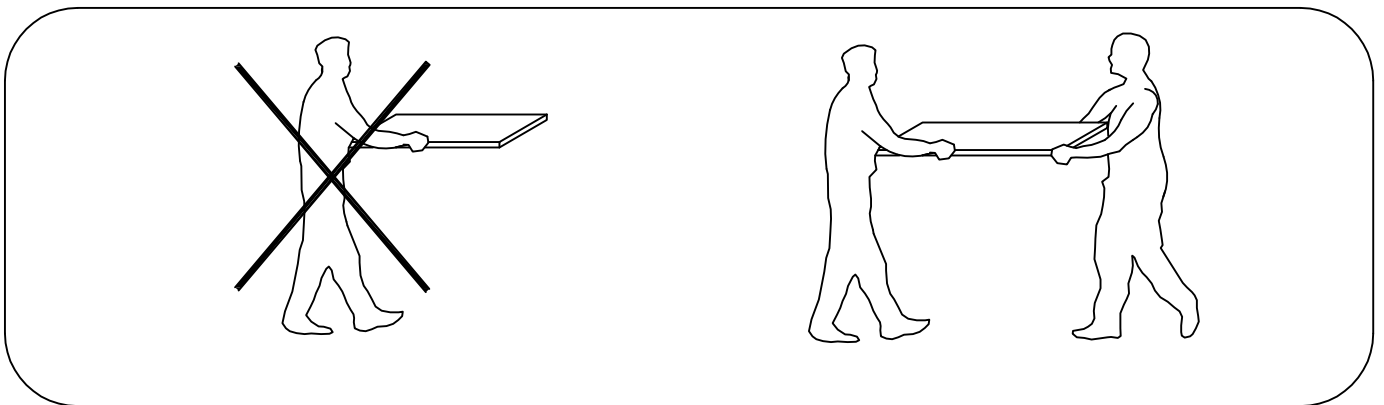
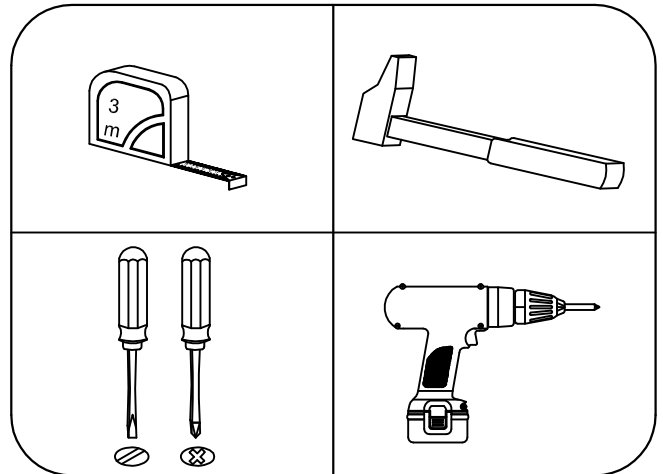
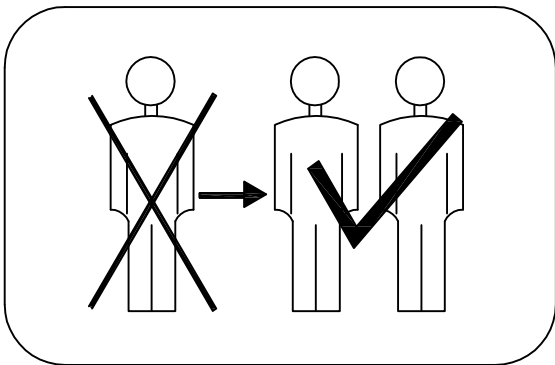


City 4068

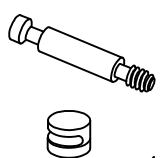
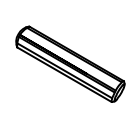

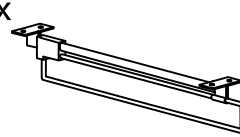
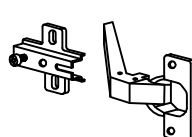


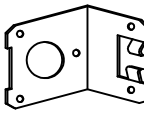
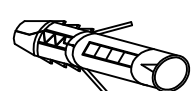

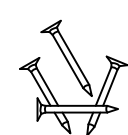


90 min.

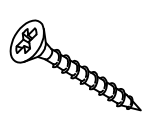
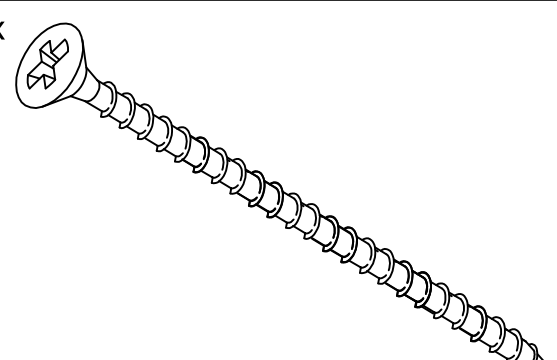
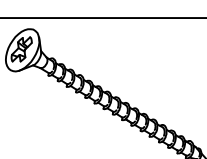

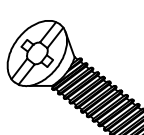


<http://www.irimbg.com/instructions/>



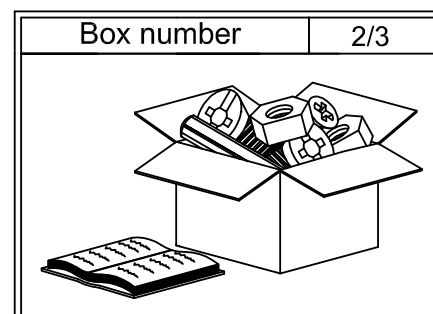
	22x  10174	22x  Φ 8x30mm 10013	22x  50317
1x  50007	3x  40211	12x  50332	4x  50246
2x  51066	2x  10060	1x  20345	 10033

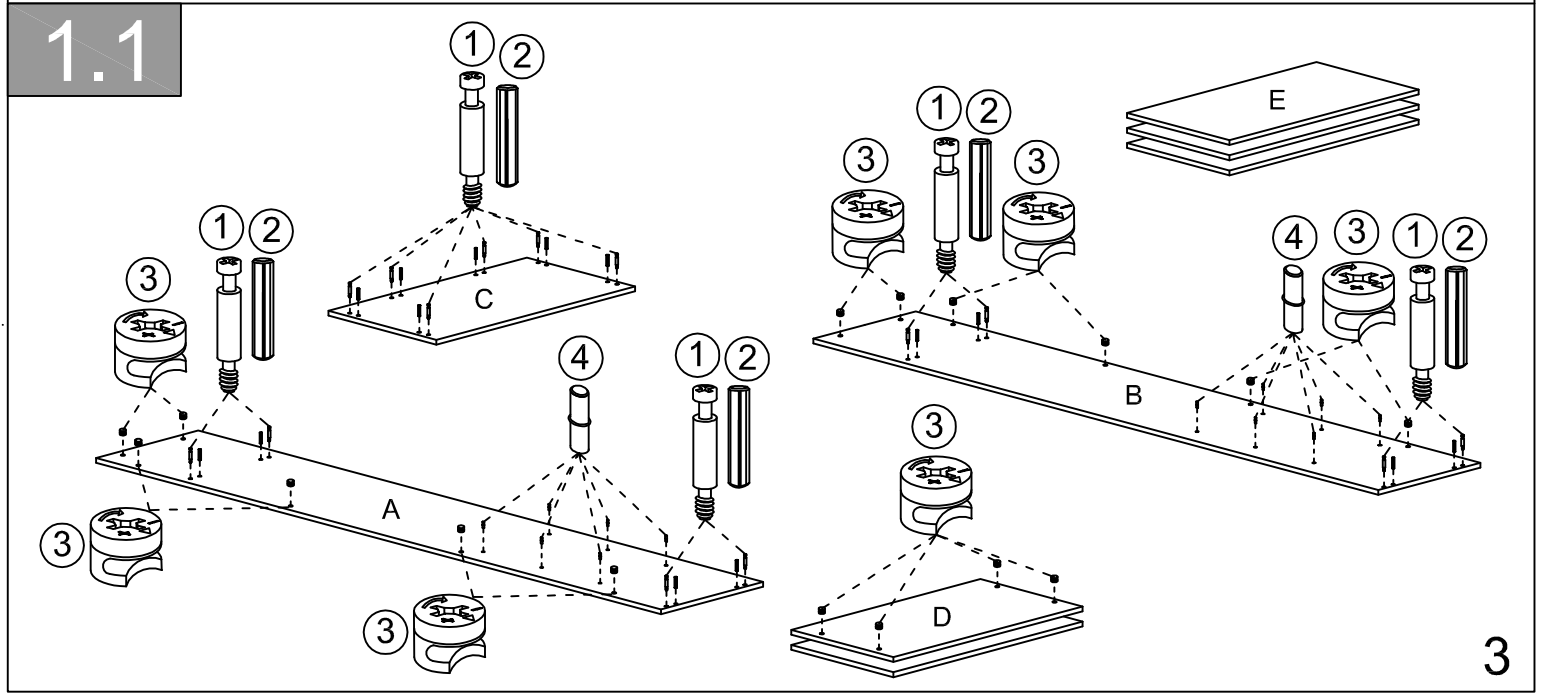
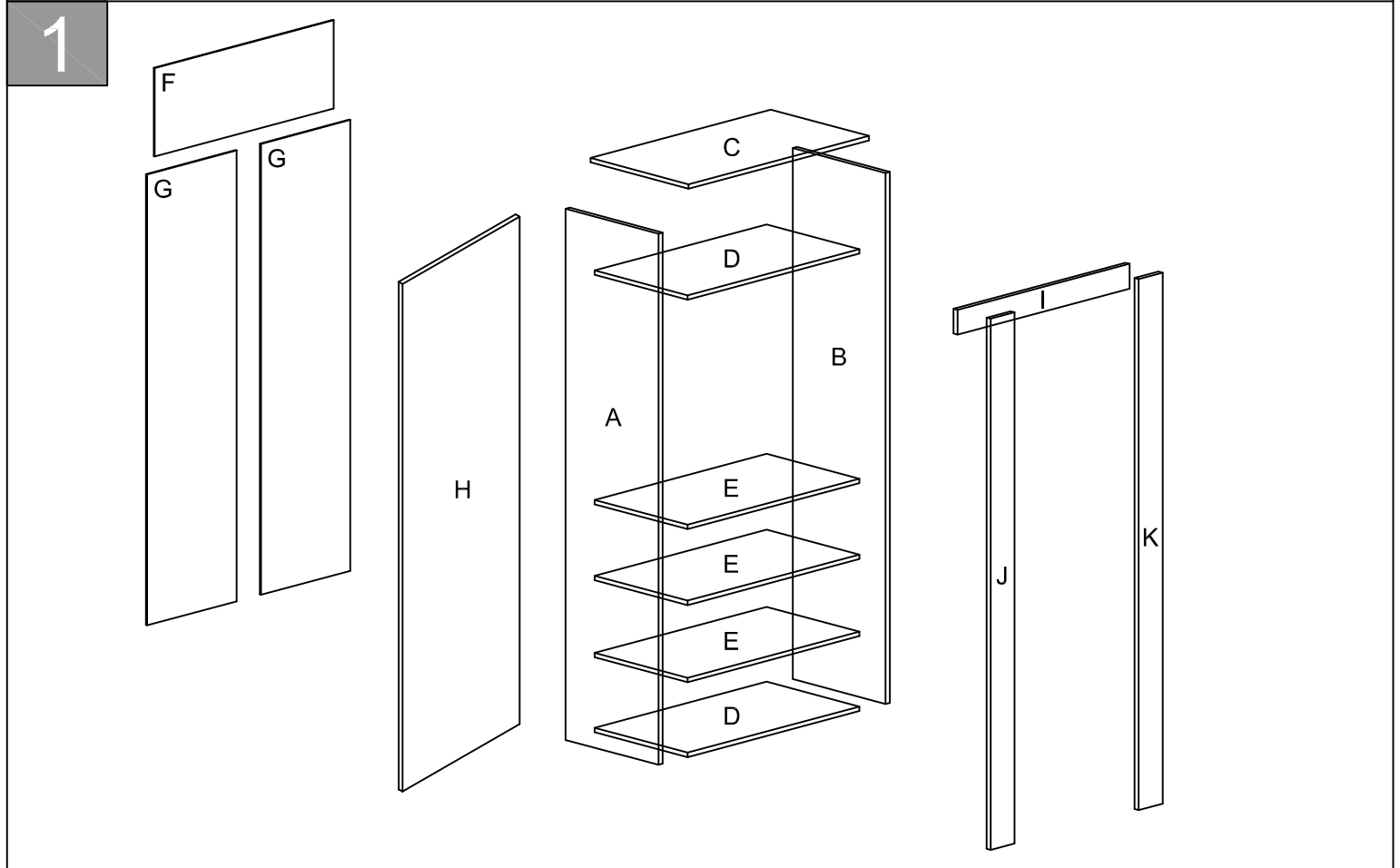
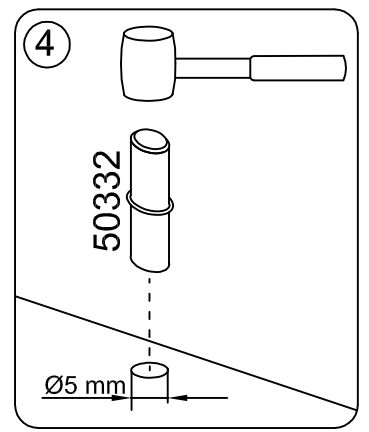
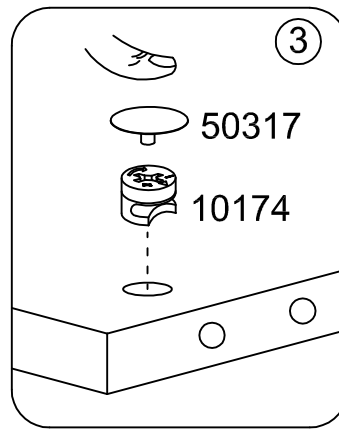
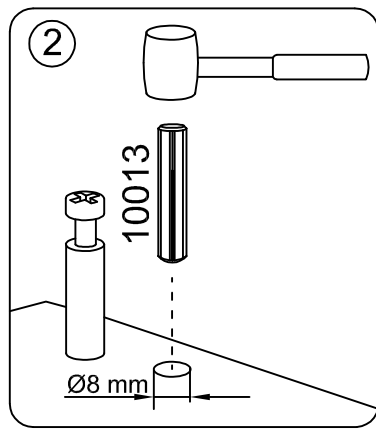
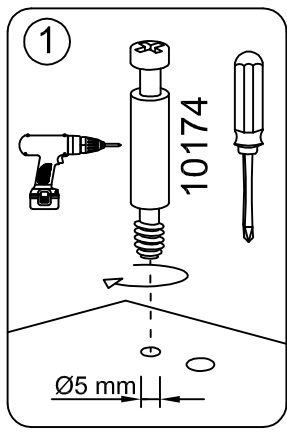
True size

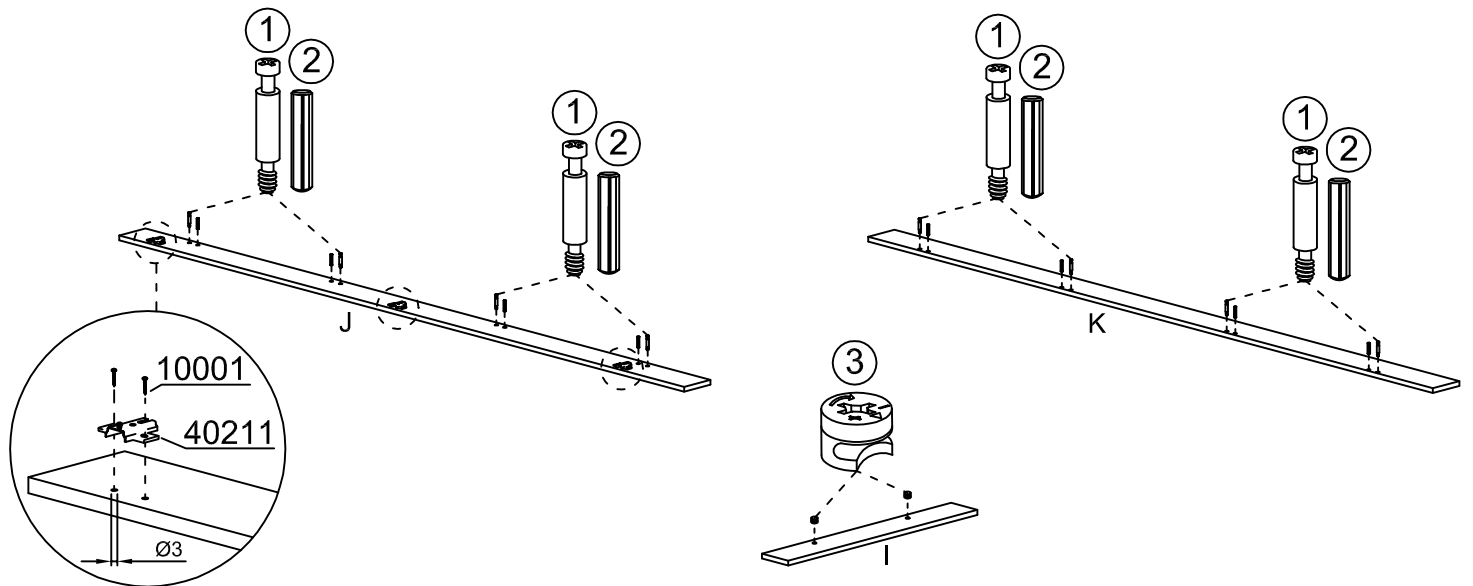
	8x  Φ 3,5x20mm 10002	2x  10021
4x  Φ 3,5x30mm 10004	20x  Φ 3,5x16mm 10001	2x  M 4x20mm 10186



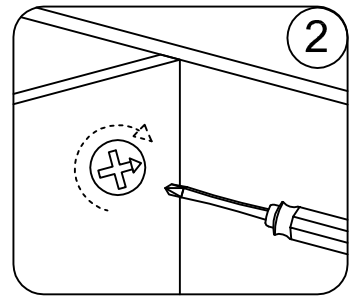
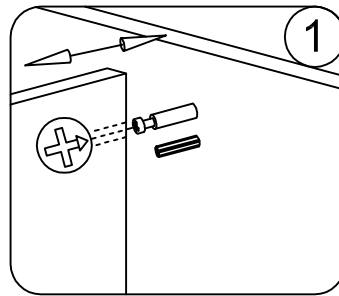
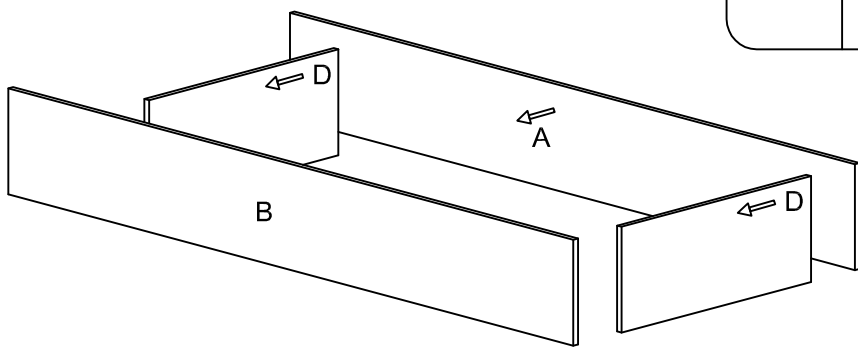
	↑ ↓ ↔	Box number
A	1934x350	1/3
B	1934x350	1/3
C	680x370	2/3
D	2x 648x350	2/3
E	3x 648x350	2/3
F	322x675	3/3
G	2x 1624x337	3/3
H	492x1848	3/3
I	648x90	1/3
J	1934x90	1/3
K	1934x90	1/3



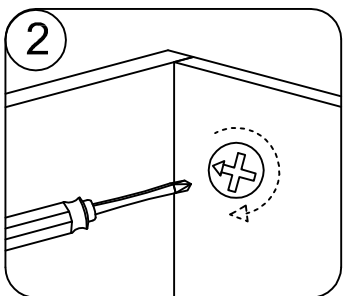
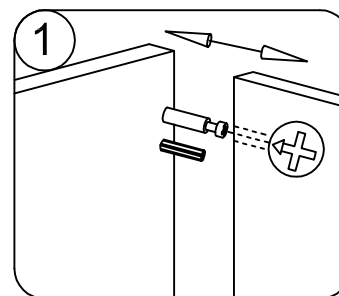
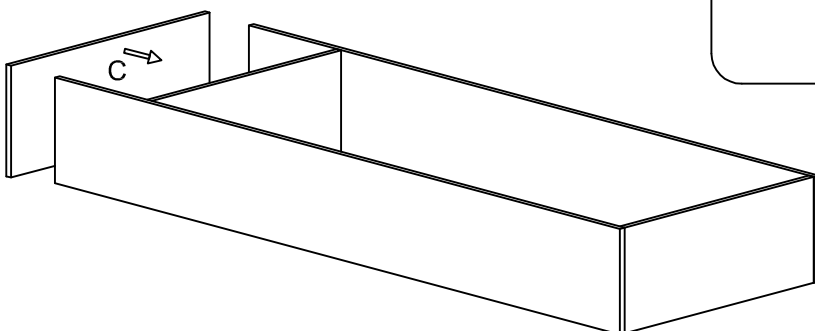




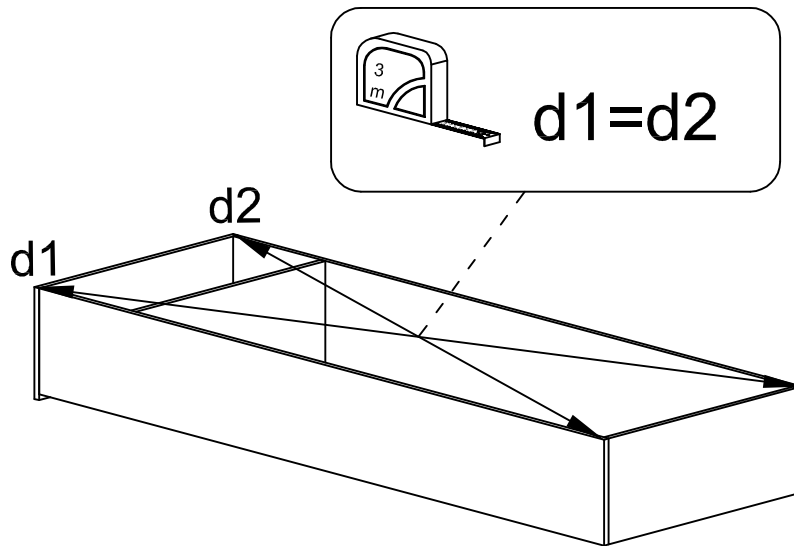
1.2



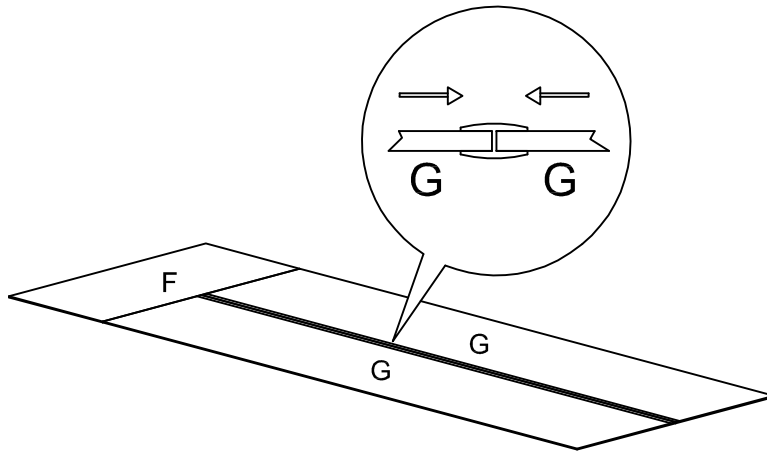
1.3



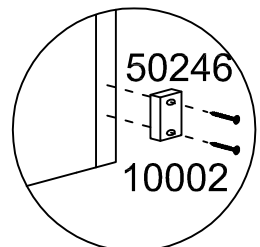
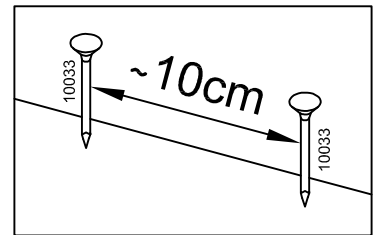
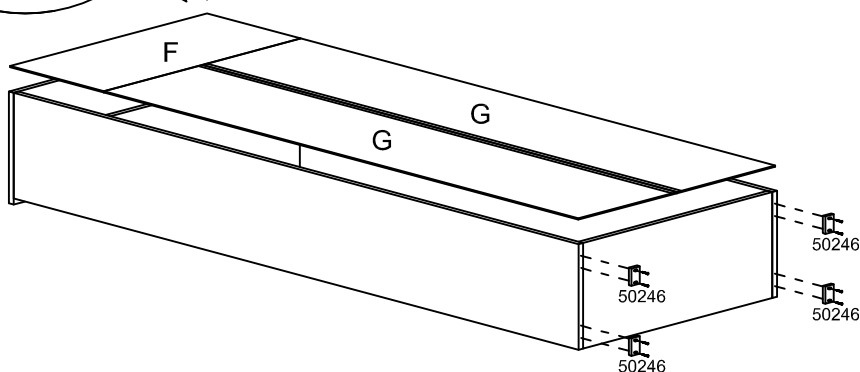
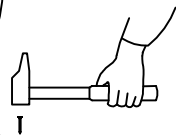
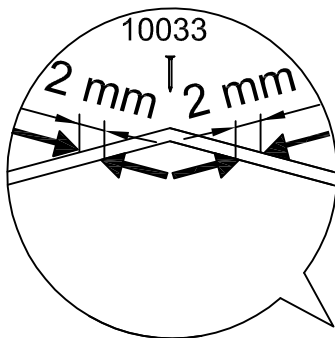
1.4



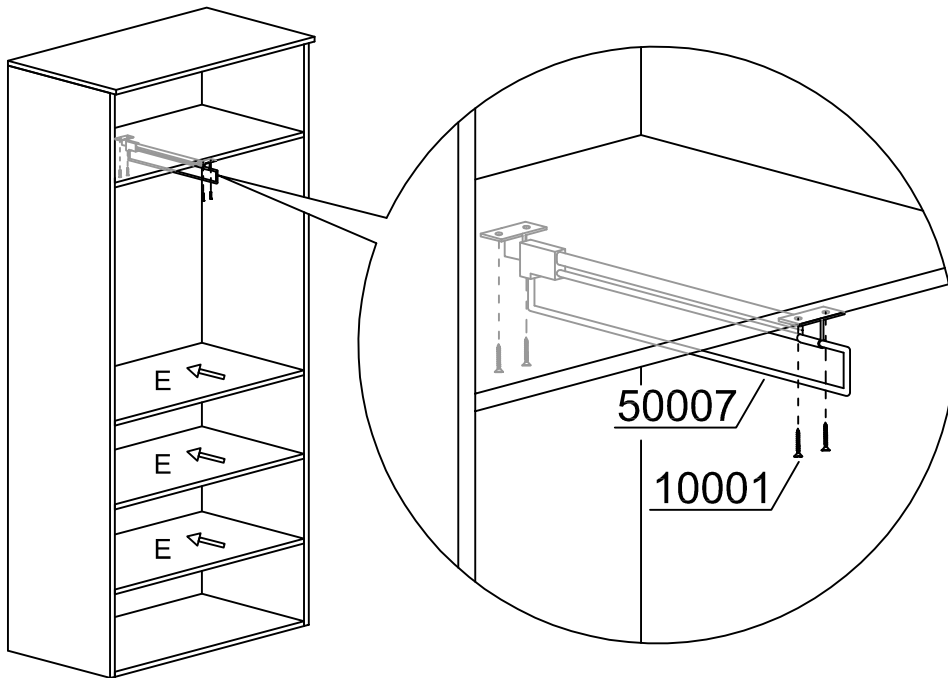
1.5



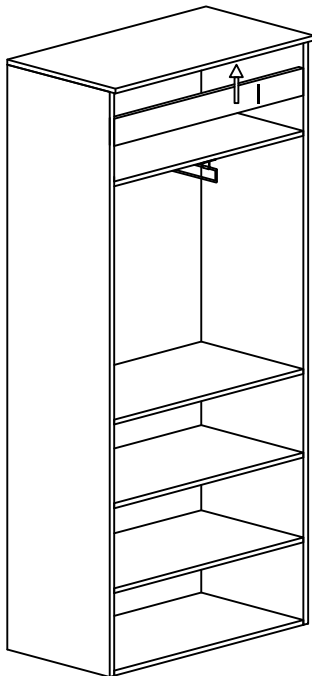
1.6



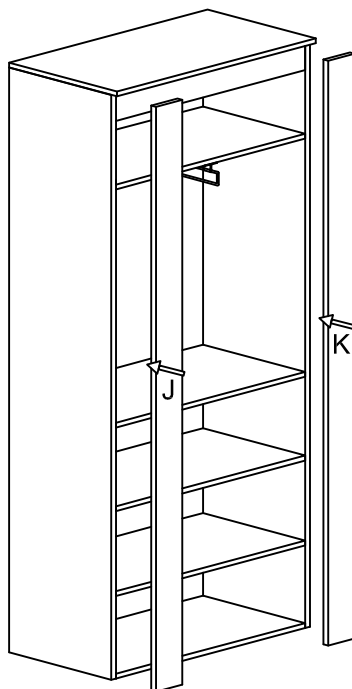
1.7



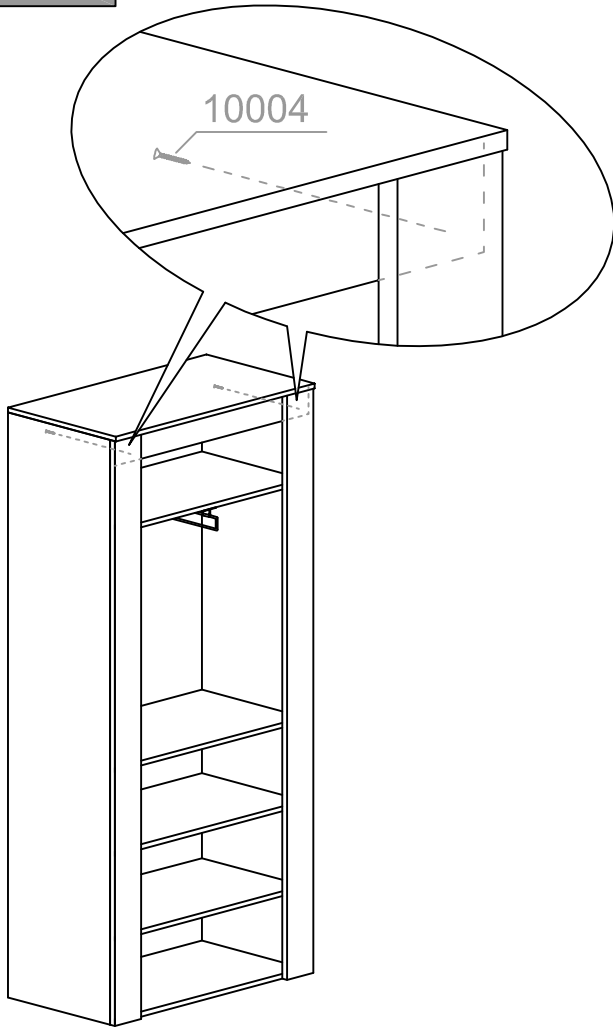
1.8



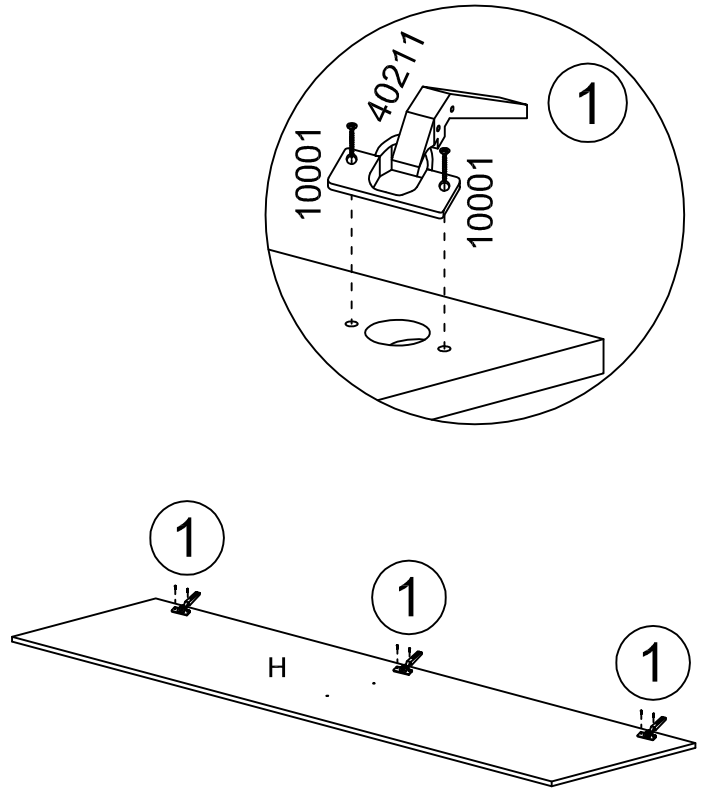
1.9



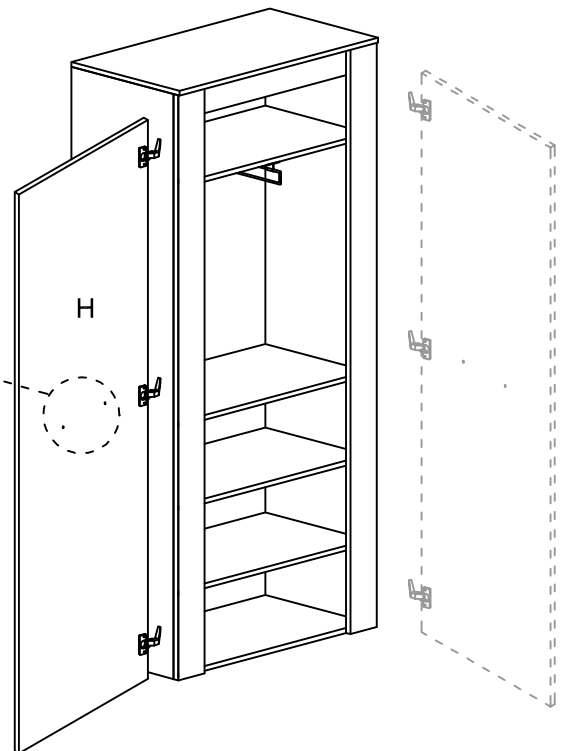
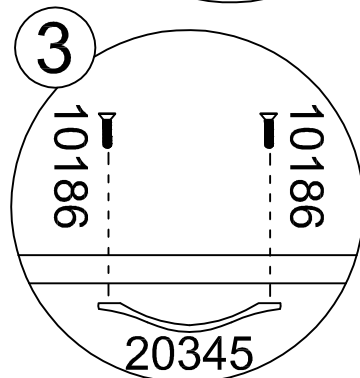
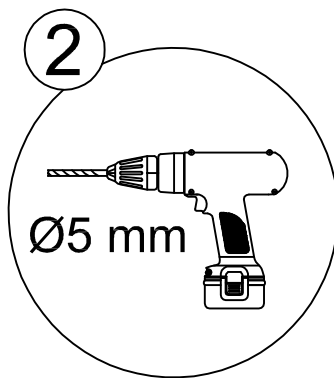
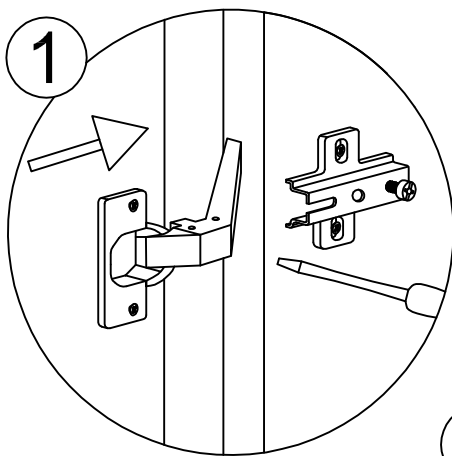
1.10



1.11



1.12



1.13

